

60CM SLIDE-OUT RANGEHOOD

MODEL / SLDCA60

RRP \$479

FEATURES

- 550m³/hr extraction rate
- LED lighting
- Aluminum grease filters
- Ducted or recirculating installation options
- Stainless steel fascia included
- 40mm or 80mm fascia's for ducted/recirc.
- 2 speed settings

PRODUCT DIMENSIONS

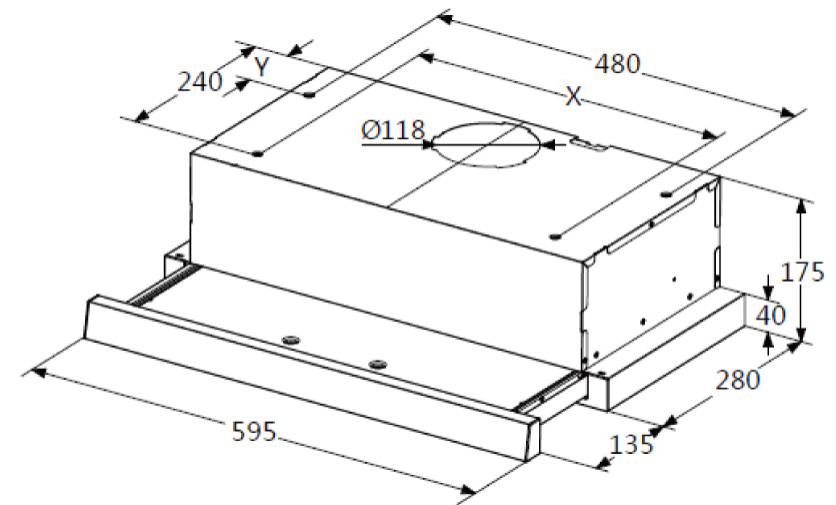
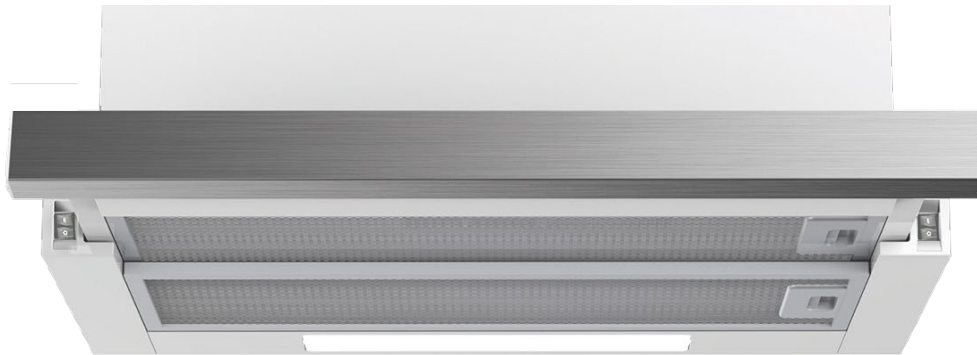
- Packaged (w, d, h mm): 645 × 225 × 360mm
- Physical (w, d, h mm): 599 × 278-472 × 176mm

Weight:

- 9.2kg

WARRANTY

- 24 Months



CASA HOME PTY LTD

enquiries@casahome.com.au

www.casahome.com.au

