



## ***INTEGRATED REFRIGERATOR-FREEZER***

FROST-FREE

MODEL: CASAFI439W



# **INSTALLATION MANUAL**

Please refer to the user manual carefully for additional information before installing.  
Keep this manual for future reference.








# CONTENTS

Symbols and Their Meanings .....	1
Load bearing capacity of the doors .....	2
Installation Place .....	3
Location of the Electrical Wiring .....	5
Location of the Water System .....	6
Unpacking .....	7
Production dimension .....	8
Tool list .....	11
List of Materials .....	12
Installation Instructions .....	13

# SYMBOLS AND THEIR MEANINGS

Symbols used in the installation manual are as follows.

	Important information or useful usage tips
	WARNING: Conditions that may damage the product or its operating functions
	ATTENTION: Conditions containing serious injury risk
	Conditions containing electric shock risk
	Packaging materials of the product have been manufactured from recyclable materials in accordance with our National Environment Regulations.

## Disposing the packaging materials

- The package has been designed to protect the product during transport.
- The packaging materials used for the product do not harm the nature during disposal and they need to be recycled.
- All plastic packaging materials, bags etc. must be disposed safely and kept out of the reach of children.
- Please return the packaging to your dealer.

### **WARNING:**

- This installation manual has been prepared to help installation teams. The User Manual provided with the product must also be taken into consideration.
- You may get seriously injured and your product may get damaged if you ignore the warnings given in this manual. Please read the following carefully.

### **WARNING:**

#### **R600a Refrigerant**

#### **Risk of Fire / Flammable Materials**



This product contains R600a isobutane refrigerant, which is a very eco-friendly natural gas. However, it is also flammable. Please follow the warnings given below:

- If the product has been transported horizontally, you must wait for 4 hours minimum before plugging it in.

The following instructions must be followed during installation:

- Dimensions of the installation area must be suitable.
- Dimensions, features and position of the object used to support and fix the product to this area must be suitable.
- Minimum clearances between product parts and surrounding structures must be suitable.
- Minimum dimensions and proper organization of ventilation holes must be observed.
- The product must be connected to the mains power, and corresponding connections of other components must be suitable.
- The product must be disconnected from the power supply after installation.
- The socket or fuse must be accessible to de-energize the product.
- Extension cables or ungrounded (two-terminal) adapters must not be used.



**ATTENTION:**

- You must wear gloves and eye protectors when installing the product.
- You must also take measures against high noise levels when drilling the floor or using a drill.



**ATTENTION:**

- Make sure that your product is suitable for your local mains.



**ATTENTION:**

- The product must be installed by a qualified technician according to the installation instructions.

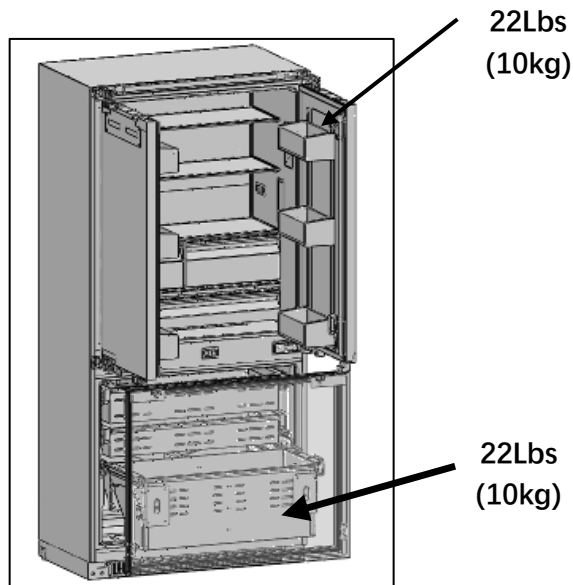


**WARNING:**

- The product may tip over since it is quite heavy. For this reason, precautions must be taken against tipping over.
- The doors of the product must be kept closed until it reaches the destination and it must be transported in accordance with the installation instructions.

Climate	Ambient temperature of the room	This appliance has been designed to be used in certain climate ranges (ambient temperatures).
SN	Between +10°C and + 32°C	
N	Between +16°C and + 32°C	
ST	Between +16°C and + 38°C	
T	Between +16°C and + 43°C	

## LOAD BEARING CAPACITY OF THE DOORS



# INSTALLATION PLACE

## You must follow the instructions below

- The floor on which the product will be installed must be capable of bearing 1,200 pounds (544 kg) minimum.
- Kitchen floor and the bottom of the product must be at the same level. Otherwise, problems may occur with the air suction of the product.
- There must be no objects preventing the installation of the product at the back and on the side walls of the product's installation place.
- The power socket must be at the correct place.
- Dimensions of the furniture where the product will be installed must be in strict conformity with the dimensions given in the manual.
- Do not install the product with the fridge and the freezer are adherent next to each other. Otherwise, condensation and damage may occur in the product.
- Flatness of the floor where the product will be installed must be checked with a Bubble Level Tool.
- Installation area must not be subjected to direct sunlight and it must be away from heat sources, ovens, radiators etc.
- The ambient temperature must be between 10°C and 43°C. Otherwise, function errors may arise when the product is running.
- If it is not possible to avoid installing the product near a heat source, the minimum clearances given below must be maintained between the product and the said source:
  - 5 cm from electric hobs or ovens
  - 30 cm from gas or fuel operated hobs or ovens

## Please observe the following rules

- The power socket or fuse must be easily accessible in case of an emergency; it must not be hidden behind the product.
- Plug or cable must not touch the back surface of the product. Otherwise, it may get damaged due to the vibration of the product.
- Do not connect the plugs of other appliances behind this product.
- If the humidity level is high where the product is used, corrosion may be seen on the outer surface of the product.
- Keep the installation room dry and well-cleaned to avoid corrosion.



## ATTENTION:

### Failure to follow these instructions may result in death, fire or electric shock

- Connecting the grounding conductor of the equipment to an improper place may lead to electric shock. Please have the grounding checked by a qualified electrician or service technician if you have any doubt about the proper grounding of the product.
- Installation, repair and other procedures performed by unqualified persons may cause danger.
- Before installing the appliance, make sure that the voltage, load and circuit current parameters on the data plate are in compliance with the power mains in your house.

- The appliance must be connected to a 3-pin socket, and to be connected to a 220-240V~, 50 Hz power supply. The plug must be installed only by a licensed electrician.
- If the electrical wiring or the electric power supply of the house needs alteration, the necessary procedures must be performed by a qualified electrician.



### **ATTENTION: RISK OF ELECTRIC SHOCK**

Electrical grounding is necessary. This appliance is equipped with a 3-pin plug to protect you against possible electric shocks.

#### **Electrical Connection**

- Never use an extension cable.
- The power socket must definitely be grounded and checked by an authorized person.
- Location of the electrical wiring must comply with the dimensions specified in the manual.
- Connect the plug to a grounded 3-pin socket.
- Do not remove the ground terminal of the plug.
- Do not use adapters.
- Do not remove the round grounding terminal from the plug.



### **ATTENTION:**

- Do not connect the grounding cable to the gas pipe. Please have the grounding checked by a qualified electrician if you are not sure about the grounding of the product.
- Do not install a fuse on the neutral line or grounding circuit.



### **WARNING:**

- Please wait for 3-6 hour before energizing the product to protect it against possible damages. This way, the refrigerant and the lubricants in the system get balanced.



### **ATTENTION:**

#### **Do not install your refrigerator:**

- In open areas
- In environments where water is dripping
- In environments where temperature is lower than 0°C.

#### **Ventilation**

Vent holes where the air enters and exits the unit must not be blocked or obstructed. In addition, you must periodically clean the dust and dirt that accumulate on these holes in time.

## **Furniture**

- Make sure that the furniture where you will install the appliance has been safely mounted in your kitchen.
- Your furniture must be connected to the floor and the wall properly and with suitable connections.
- For the best installation, clearances between the furniture and the product must be in compliance with the values specified in the installation instructions.
- Side walls must be free of clearances and their surfaces must be flat. Minimum thickness of the side walls must be 16 mm.
- Minimum thickness of the doors to be attached to the product must be 16 mm.

# LOCATION OF THE WATER SYSTEM

## Water Connection

- Pressure of the mains water must be in compliance with the values specified in the manual.
- Location of the water system must comply with the dimensions specified in the manual.

## IMPORTANT INFORMATION:

Bypass is recommended for the water filtering system if a reverse osmosis system is used.

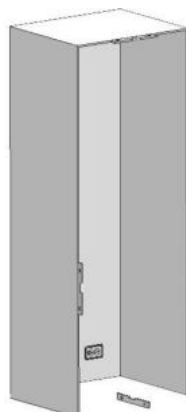
- The water connected to the water mains must be potable.
- Water system of the refrigerator must be connected to the water mains system in the house.
- The user must be able to switch it on/off with the valve when necessary.
- Objects that might pierce the water hoses or cause them to twist must not be present where the water line is installed.
- Pressure of the water system must be between 14.5-80 psi (1-5.5 Bar).
- If the water pressure exceeds 80 psi, install a pressure limiting device or water impact protector to the inlet valve. Never install the product or operate the appliance if it is possible for the water pressure to exceed 120 psi.

## WARNING:

- Make sure that there is no water leakage when making the water connections. Otherwise, there will be water on the floor and the furniture will get damaged.
- You will need a hose with a minimum length of 60" (1.5 meters) and a diameter of ¼" for water connections of the product during installation.
- A connector that has a thread with an external diameter of ¼" must be used to connect the hose end to the product.
- Before completing the installation, make sure that water flows and there is no water leakage.

## WARNING:

- Flatness of the floor where the product will be installed must be checked with a Bubble Level Tool.
- Uprightness of the furniture flanges must be checked with a Bubble Level Tool.
- If the flatness and uprightness of the product is not proper, problems may arise with the installation.



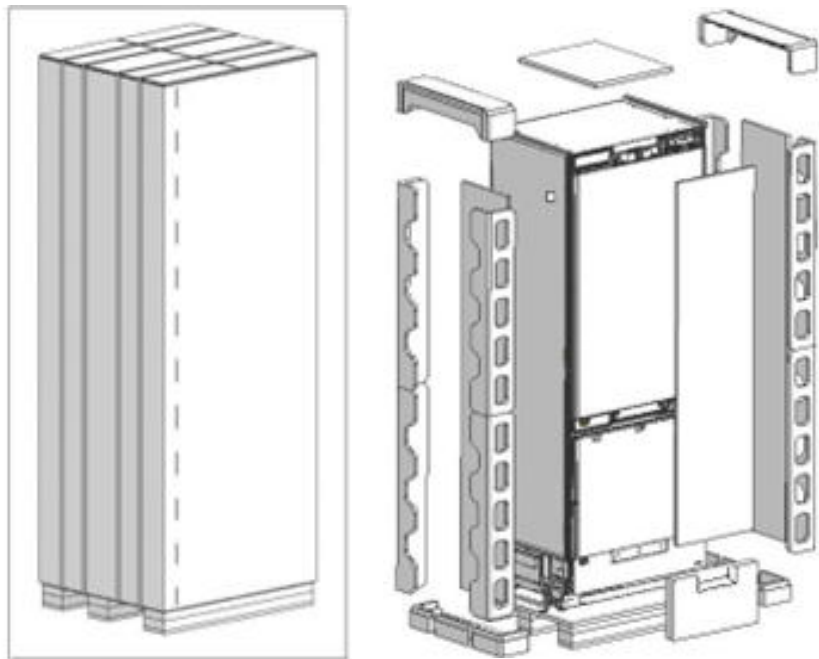
## UNPACKING

 **WARNING:**

At least two persons must carry the refrigerator.



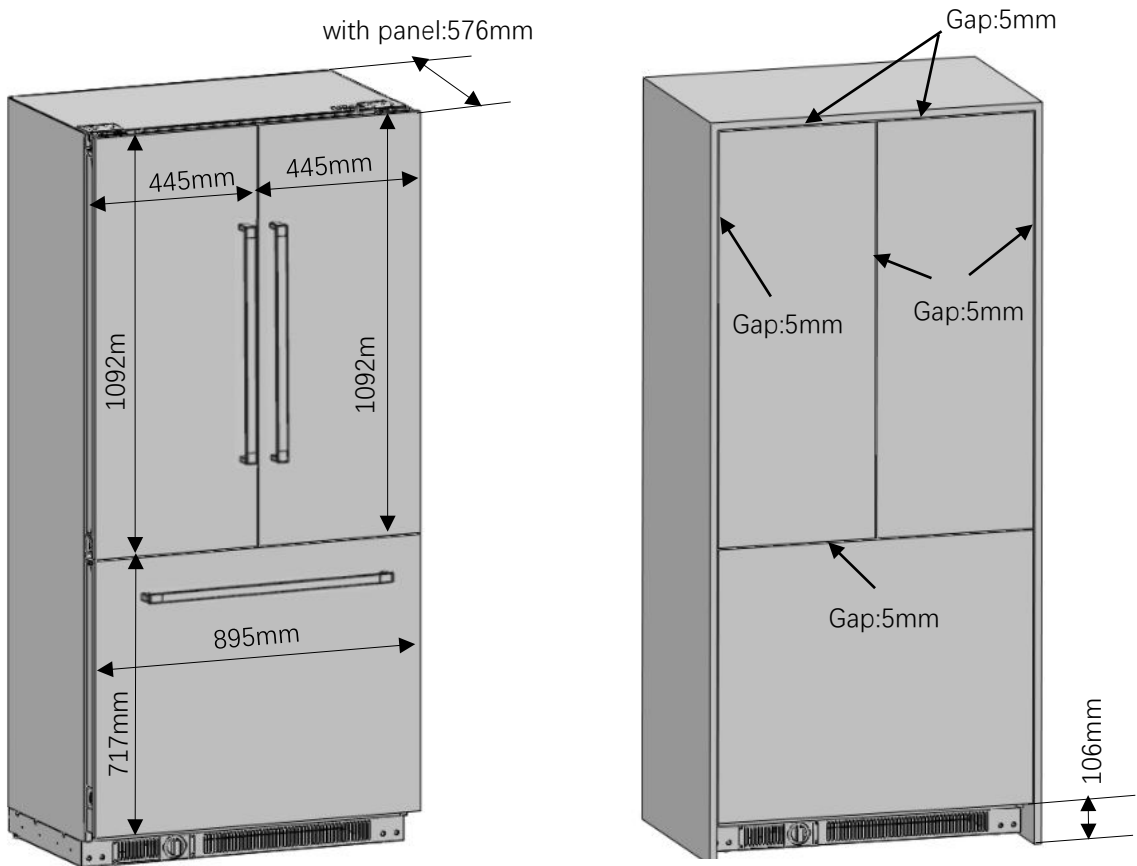
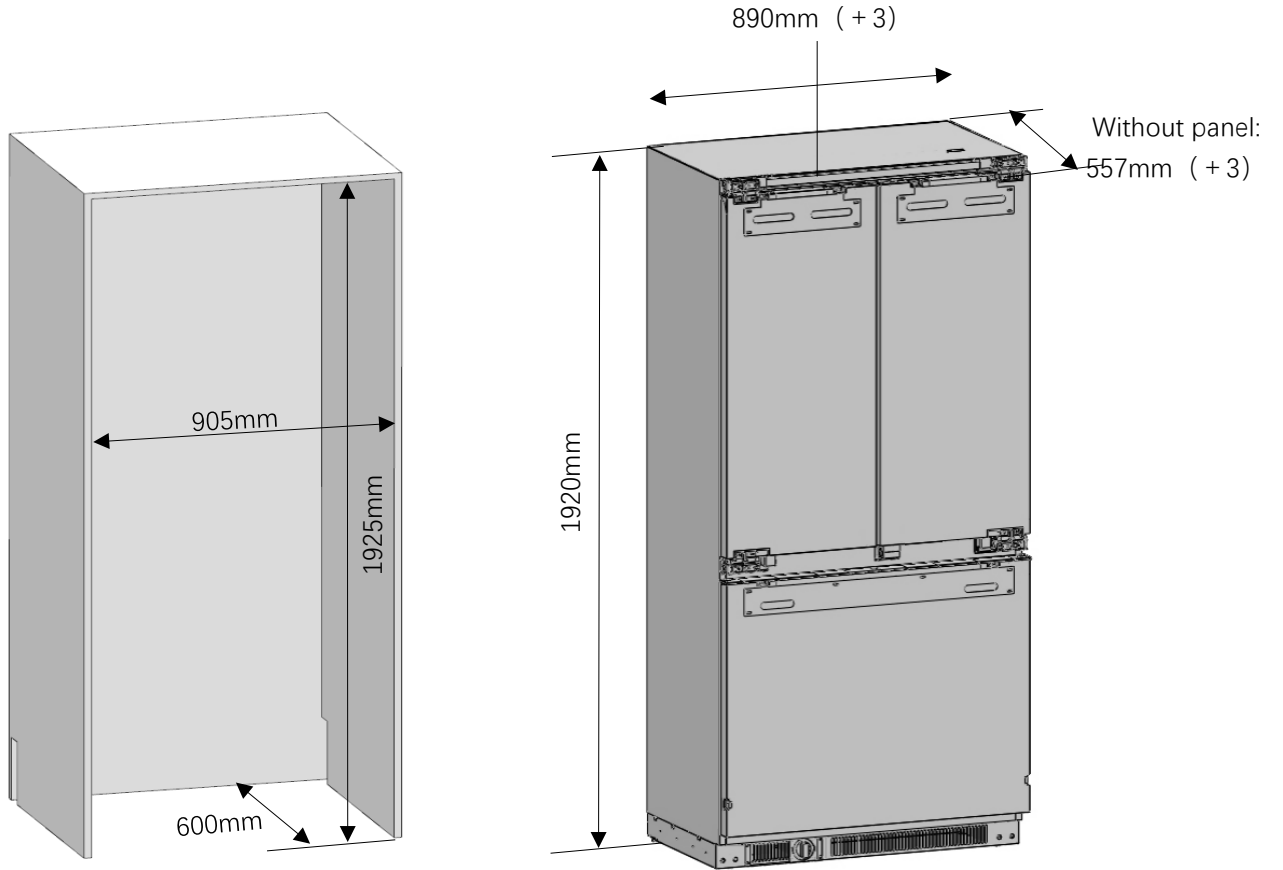
- Use a box cutter to remove the tapes.
- Cut the Packaging Board with a Box Cutter through the section illustrated in dotted lines and remove it.
- Remove the Packaging Polystyrene material.



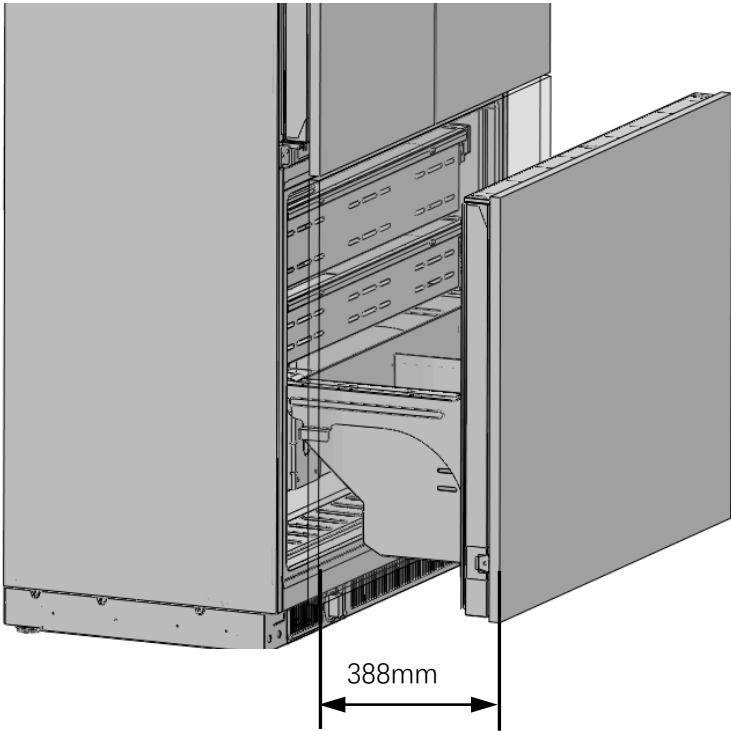
 **ATTENTION:**

- Do not remove the tape of the upper door on the product until the refrigerator is placed into the cabin.
- Risk of tipping over.

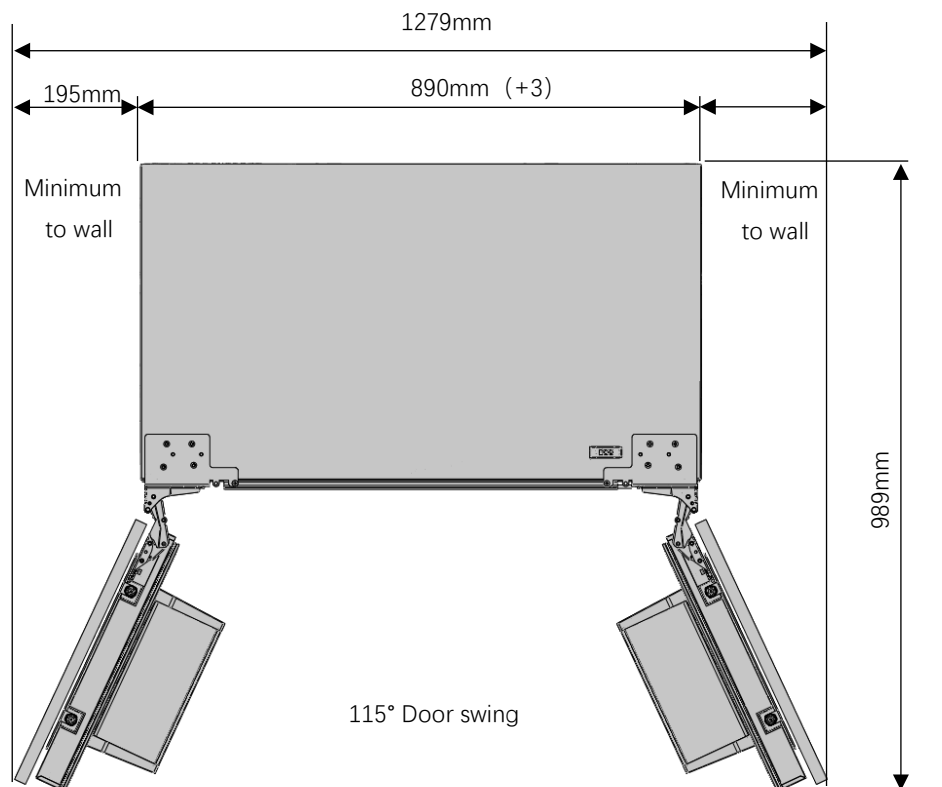
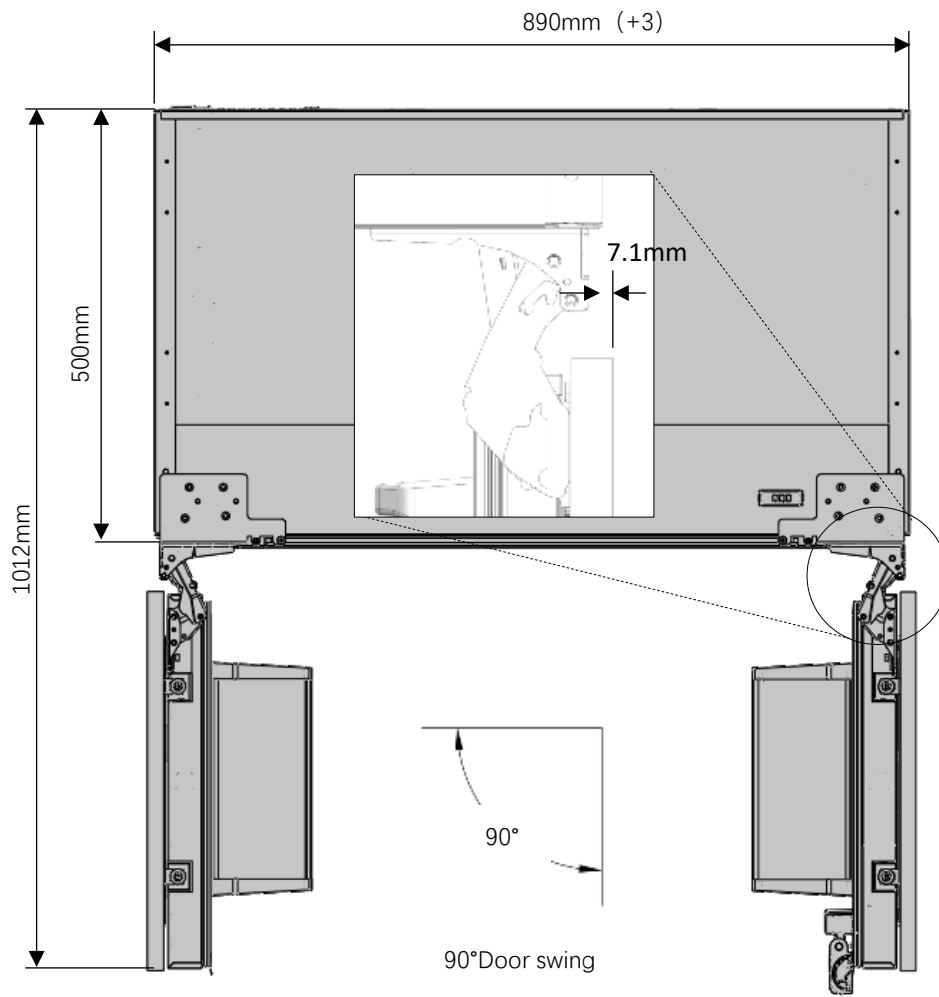
# PRODUCT DIMENSION



# PRODUCT DIMENSION



# PRODUCT DIMENSION



## TOOL LIST

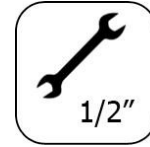
Tools to be used when installing the product are as follows:



Cordless  
Drill



Safety  
Goggles



1/2"  
Wrench



Hammer



Ladder



Ø2,4  
Drill bit



T20  
Trox bit



Box  
Cutter



Safety  
Gloves



Tape  
Measure



PH2  
Star bit



1/4"  
Hex bit



Bubble  
Level  
Tool





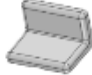




















Wheelbarrow



Tape

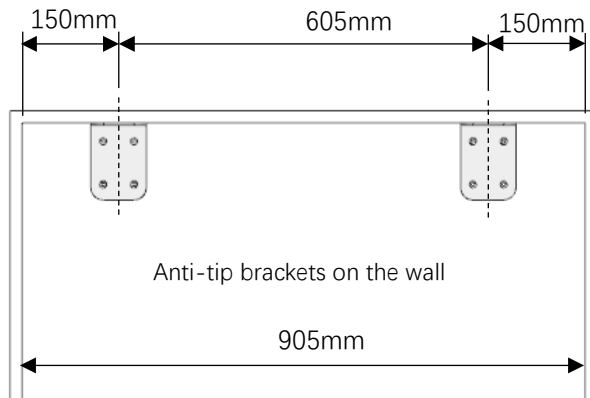
# LIST OF MATERIALS

Quantity	Part	Quantity
	Anti-tip bracket	2
	Anti-tip bracket screws and dowels 8*60	8
	Position adjustment part	1
	90° limit pin	2
	Furniture door bracket cover	4
	Furniture door connecting bracket	4
	ST4.8x16, Crossed flat head tapping screw	4
	ST4x14, counter sunk head screw	30
	Top cover of refrigerated door	1
	Left hinge slot cover	1
	Right hinge slot cover	1
	M5, hexagonal nut	2
	M5x5, Cross head screws	2
	Top cover of freezer door	1
	Furniture door connecting bracket	2
	M5x16	2
	Shims	2
	Door side trim	4+2
	Box side trim	2
	Furniture bracket	2
	Furniture door preparation template	1
	User manual	1
	ST4x12, Crossed flat head tapping screw	4

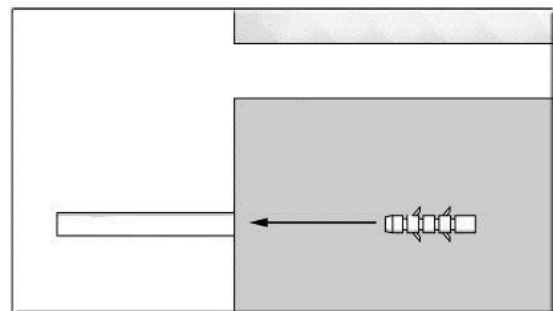
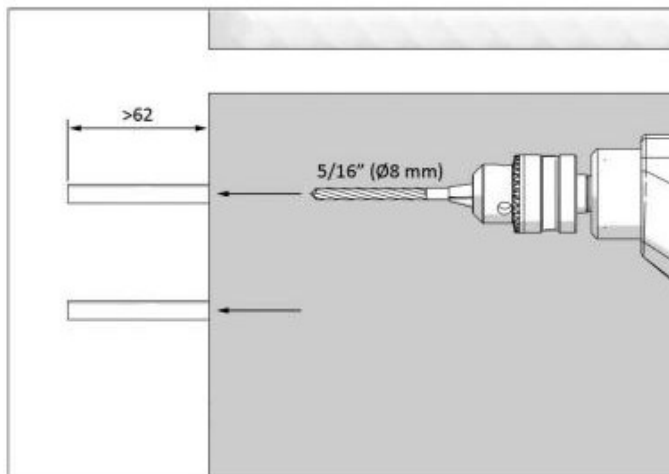
# INSTALLATION INSTRUCTIONS

## Mounting the anti-tip brackets

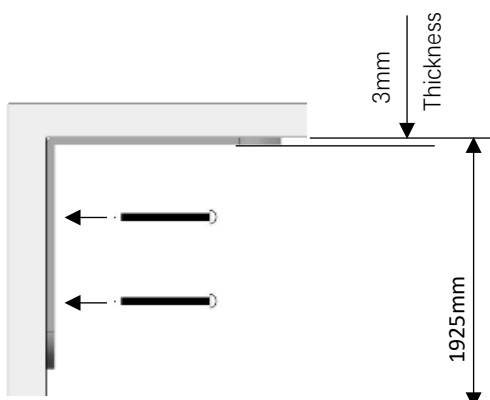
- Mark the wall for anti-tip brackets.



- Use a drill to create holes for dowels at the marked points. (5/16" - Ø8)
- Use the hammer to fit the dowels.

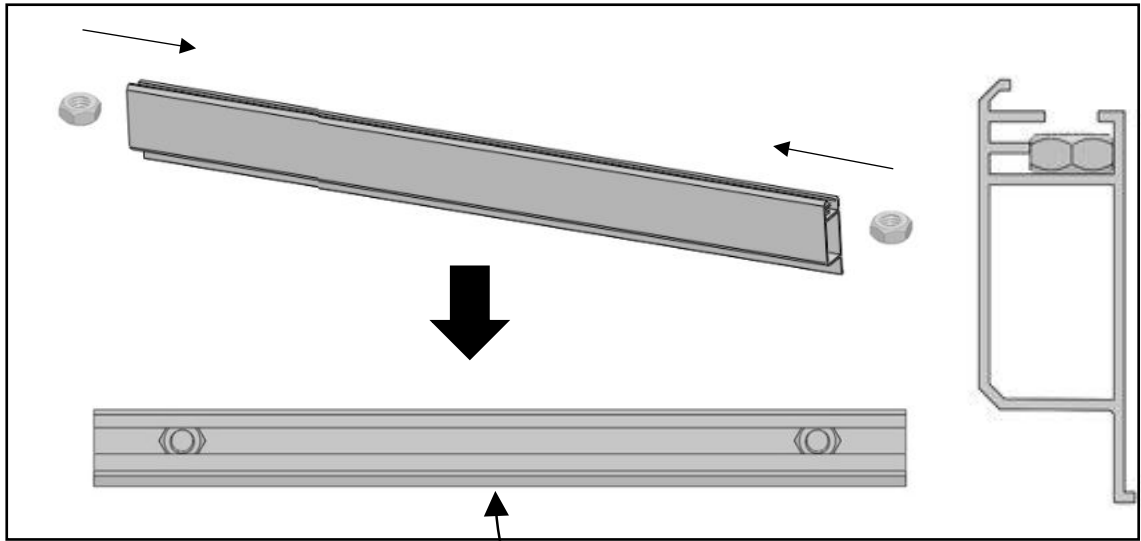


- Fit the brackets into their places, using 4 screws for each.
- You must use all of the 2 brackets to ensure safety of the product.

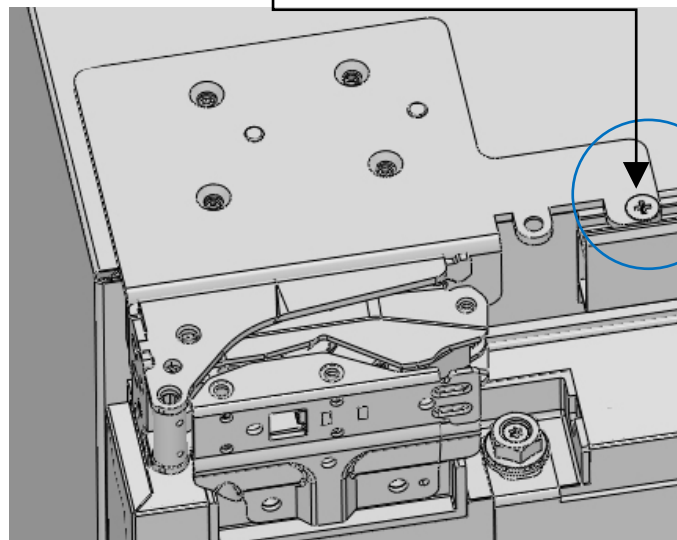
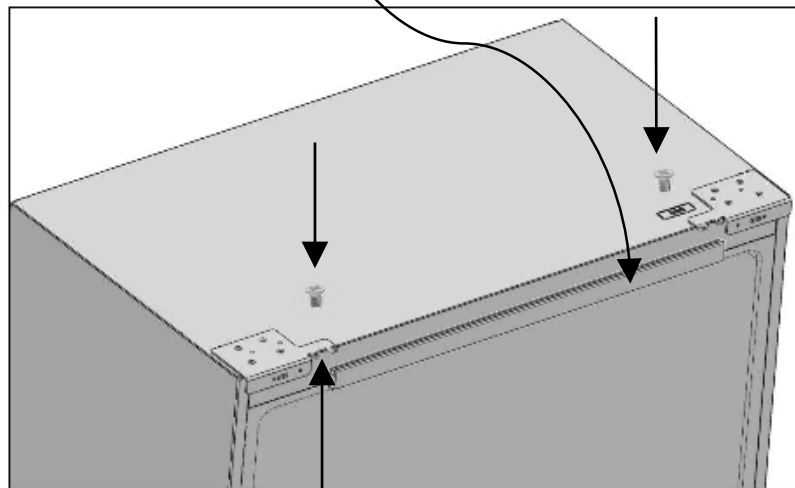


Please remember to use the necessary protective equipment when drilling holes on the wall and performing installation.

# INSTALLATION INSTRUCTIONS

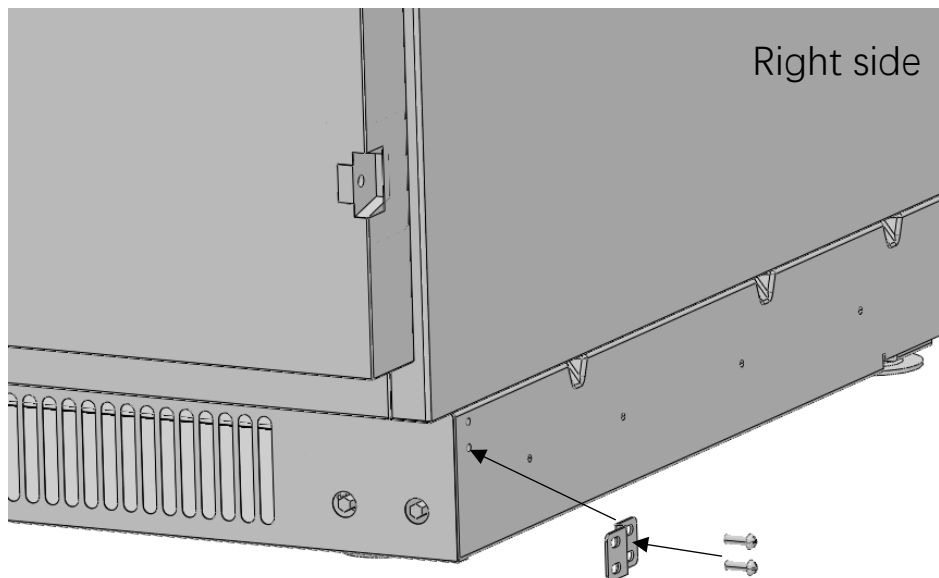
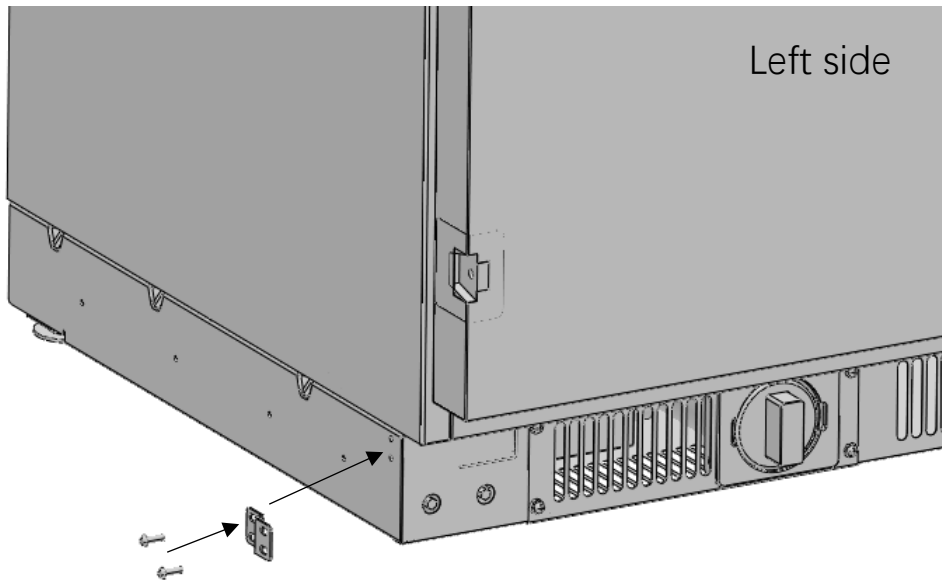


- Use 2 screws (M5×5) to fix.



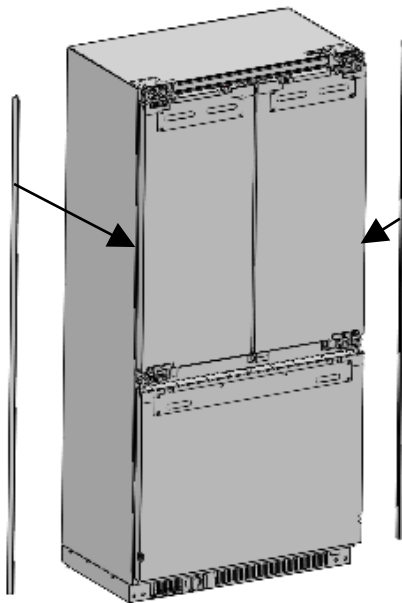
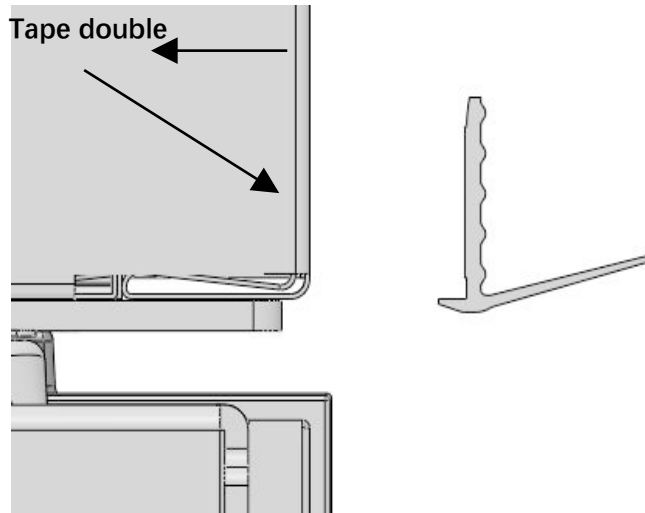
## INSTALLATION INSTRUCTIONS

- Fix the furniture bracket to the unit use the screws (ST4\*12) to tighten.

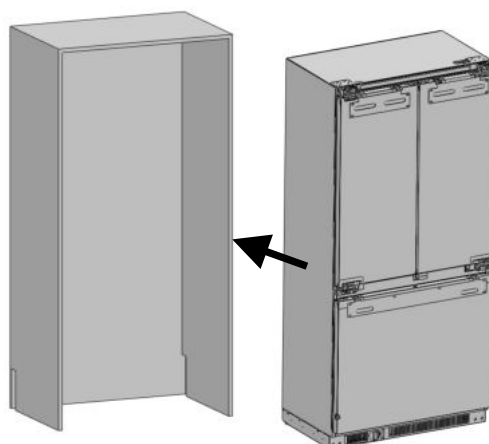


## INSTALLATION INSTRUCTIONS

- Attach the Trim Box side. The backing paper of the double-sided tape should be removed before attaching the parts.



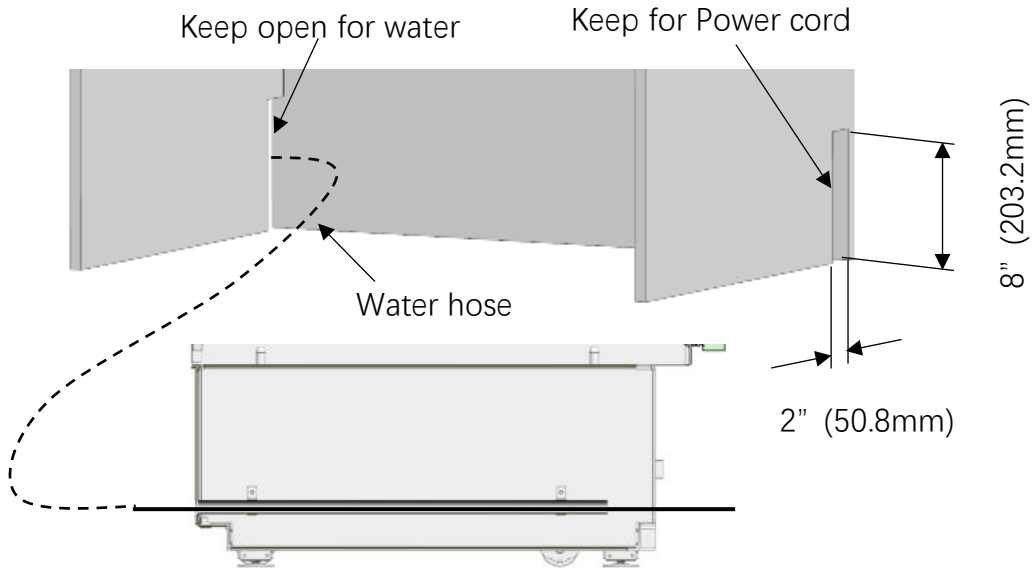
- Push the product carefully towards the cabin to place it.



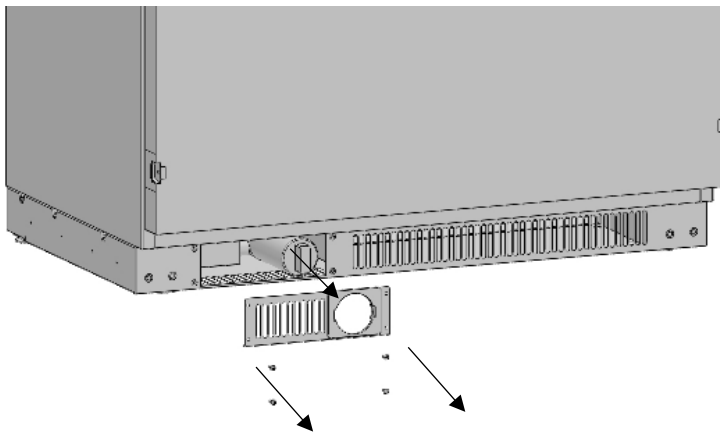
# INSTALLATION INSTRUCTIONS



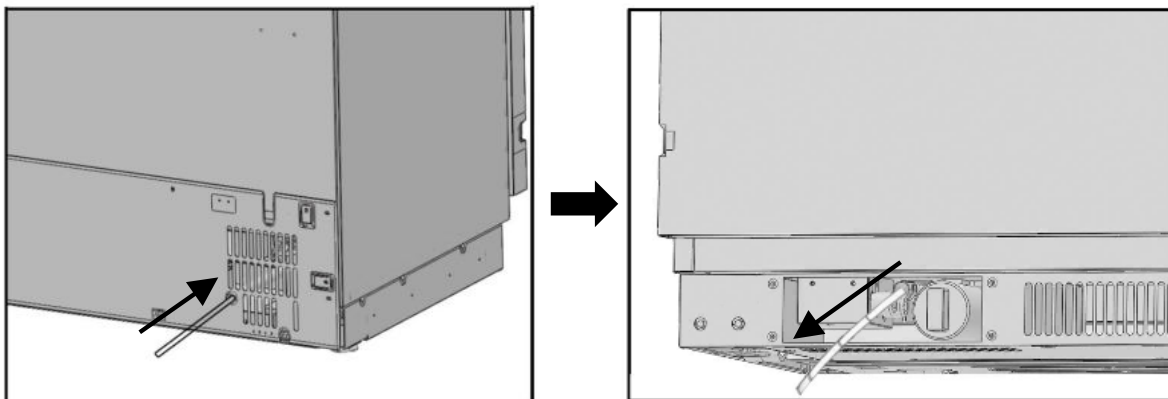
- You will need a hose with a minimum length of 60" (1.5 meters) and a diameter of ¼" for water connections of the product during installation.
- A connector that has a thread with an external diameter of ¼" must be used to connect the hose end to the product.
- The plug of the product must be accessible after installation.



- Remove the 4 screws to take out the Vent Hole Part.

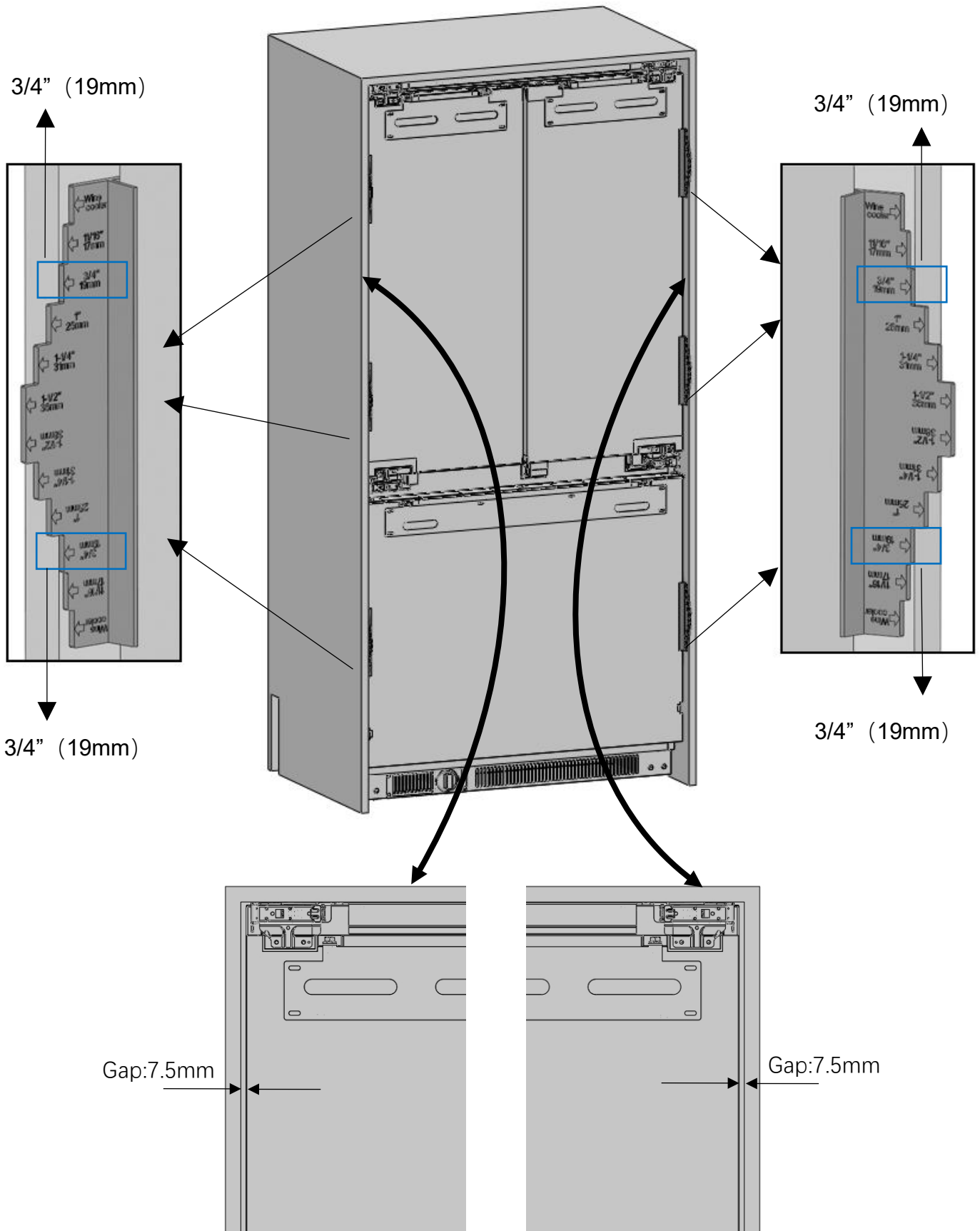


- Insert the mains water hose into the duct at the back and take it out from the front.



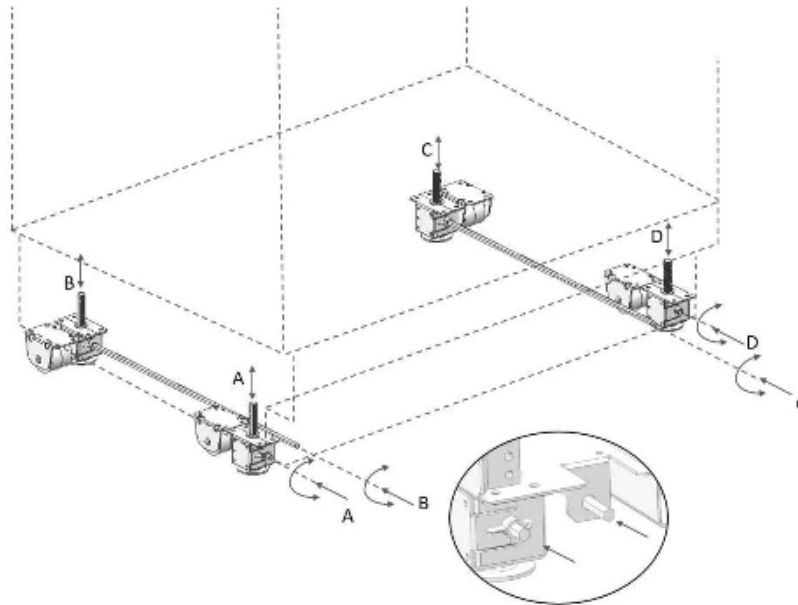
# INSTALLATION INSTRUCTIONS

- Position of the level adjustment must be adjusted according to the thickness of the door.

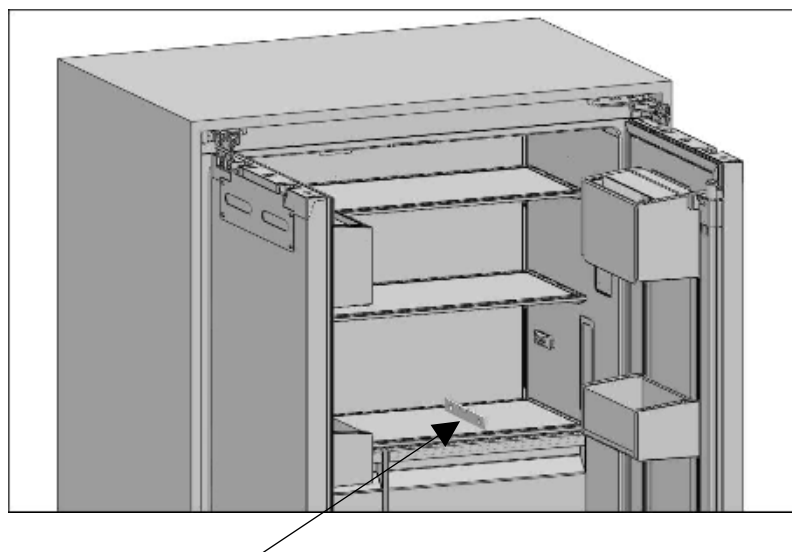


# INSTALLATION INSTRUCTIONS

- Adjust the refrigerator height using the adjustable feet.



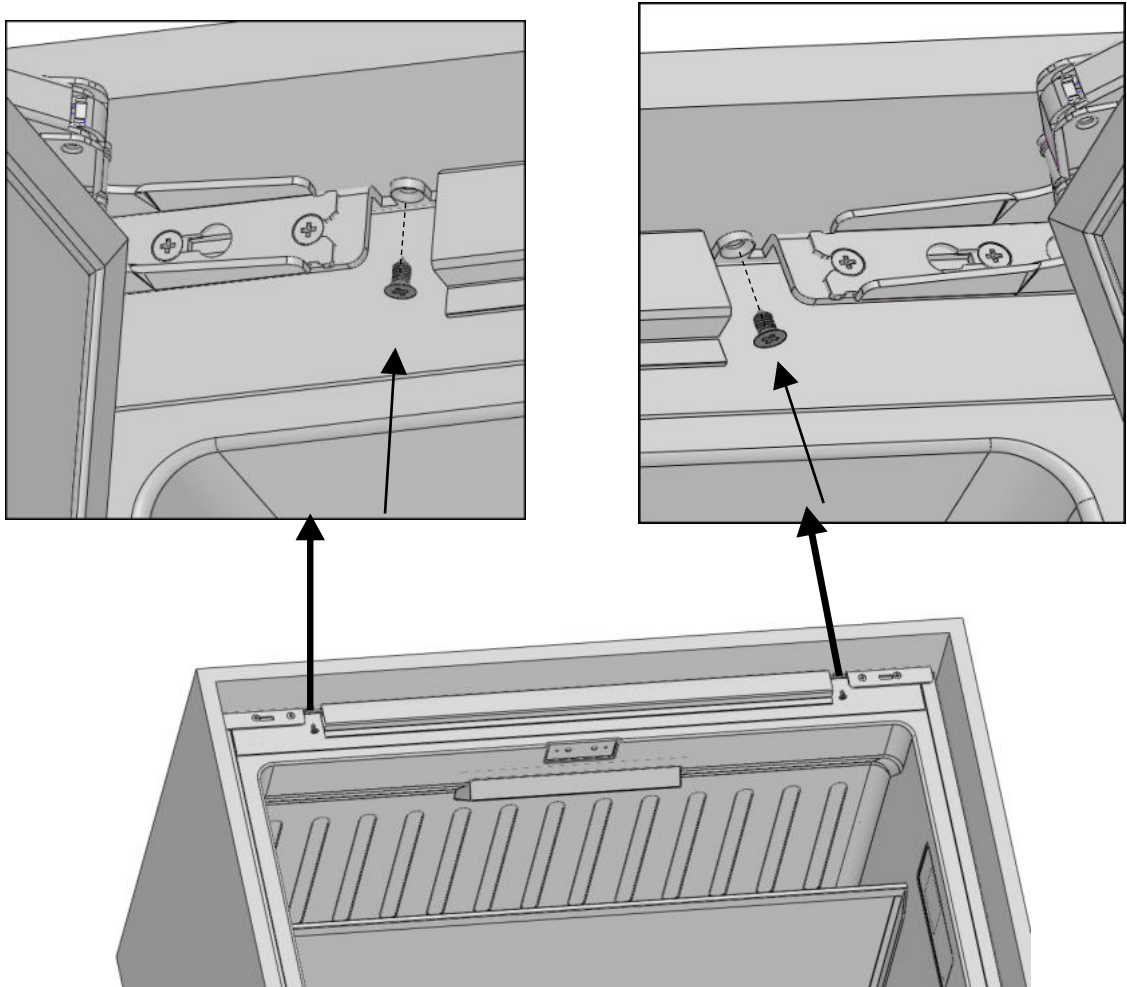
- First of all, raise the front feet to reduce the risk of the cabin falling forward.
  - **A/D** – Turn the key clockwise to lift the front
  - **B/C** – Turn the key clockwise to lift the rear
- After adjusting the adjustable feet, check the flatness in both width and depth directions.



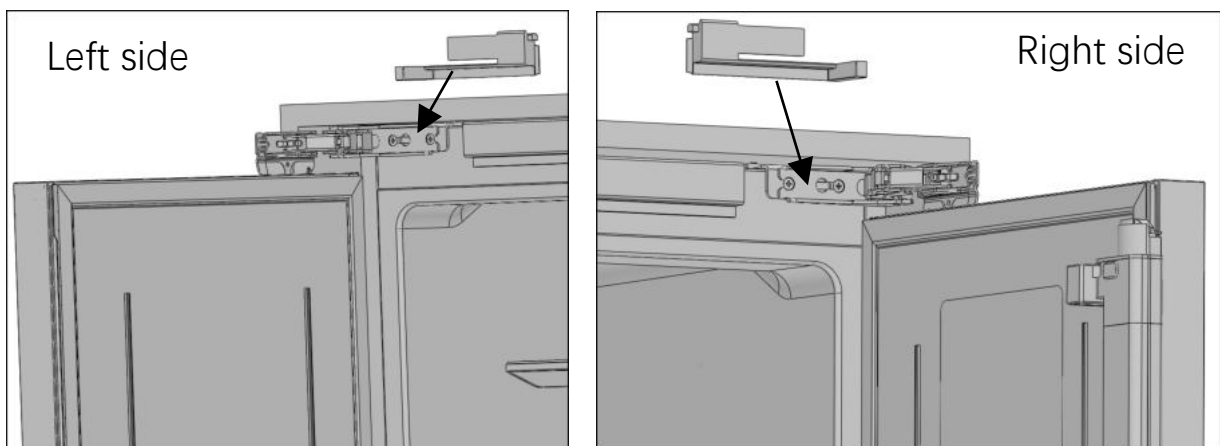
Bubble Level Tool

## INSTALLATION INSTRUCTIONS

- Attach the furniture bracket to the furniture with 2 screws (ST4x14).

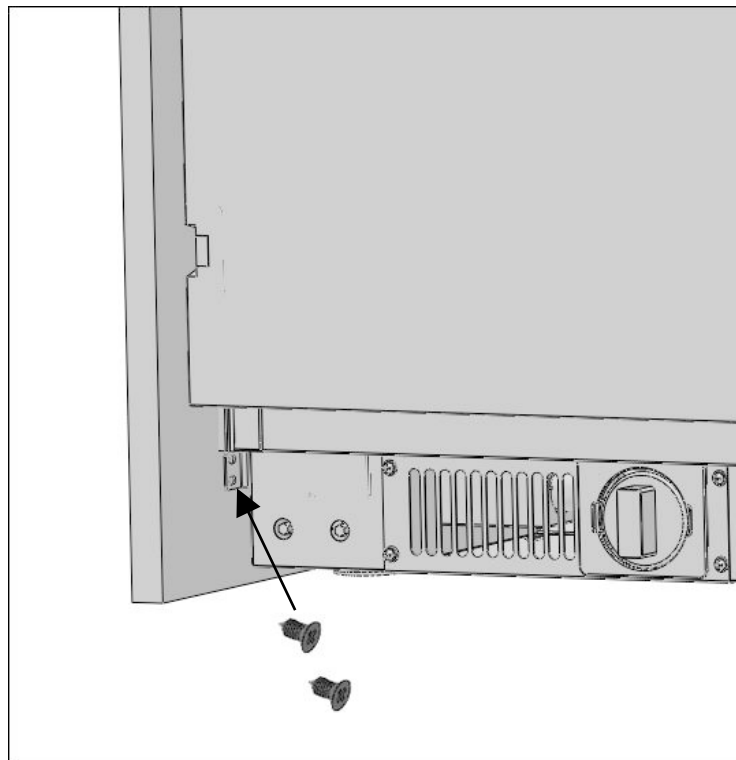
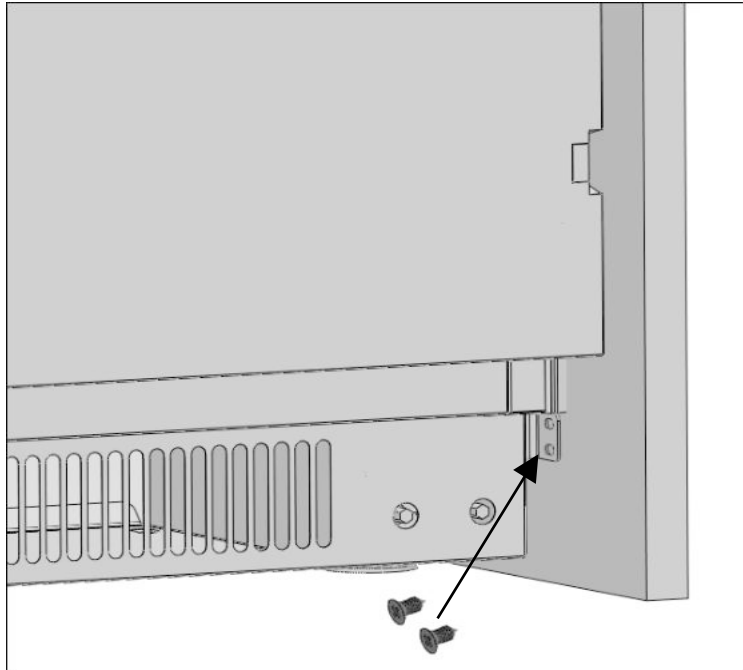


- Attach the Hinge Slot Caps.



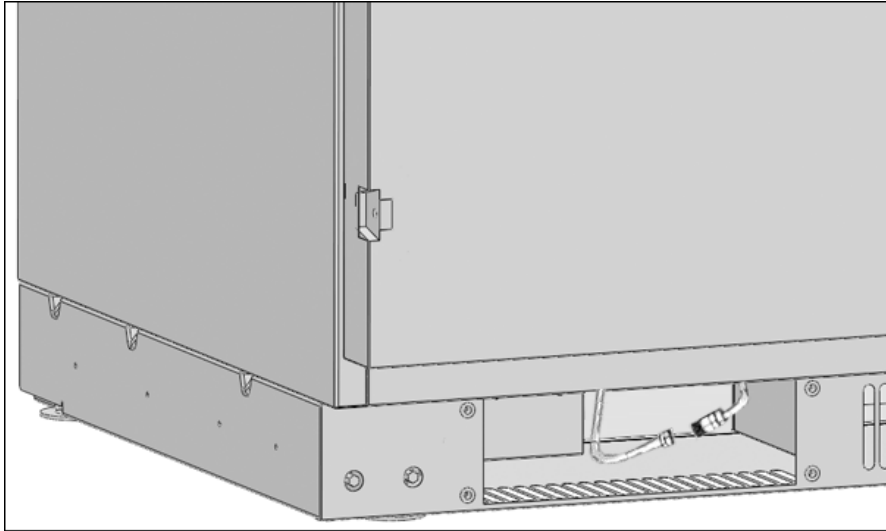
## INSTALLATION INSTRUCTIONS

- Attach the bracket furniture to the furniture with 4 screws (ST4x14).



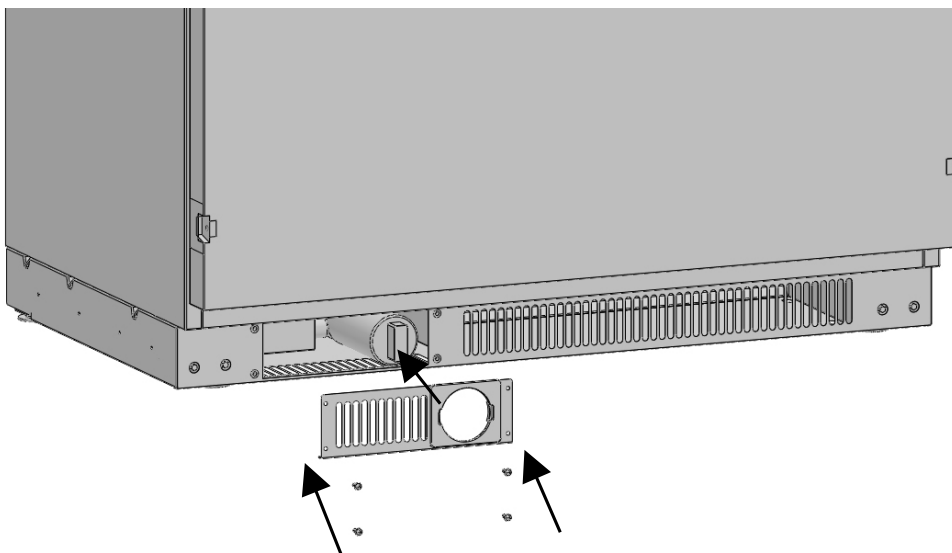
## INSTALLATION INSTRUCTIONS

- Use the 2 wrenches to firmly connect the hose coming from the mains and the hose coming from the valve.



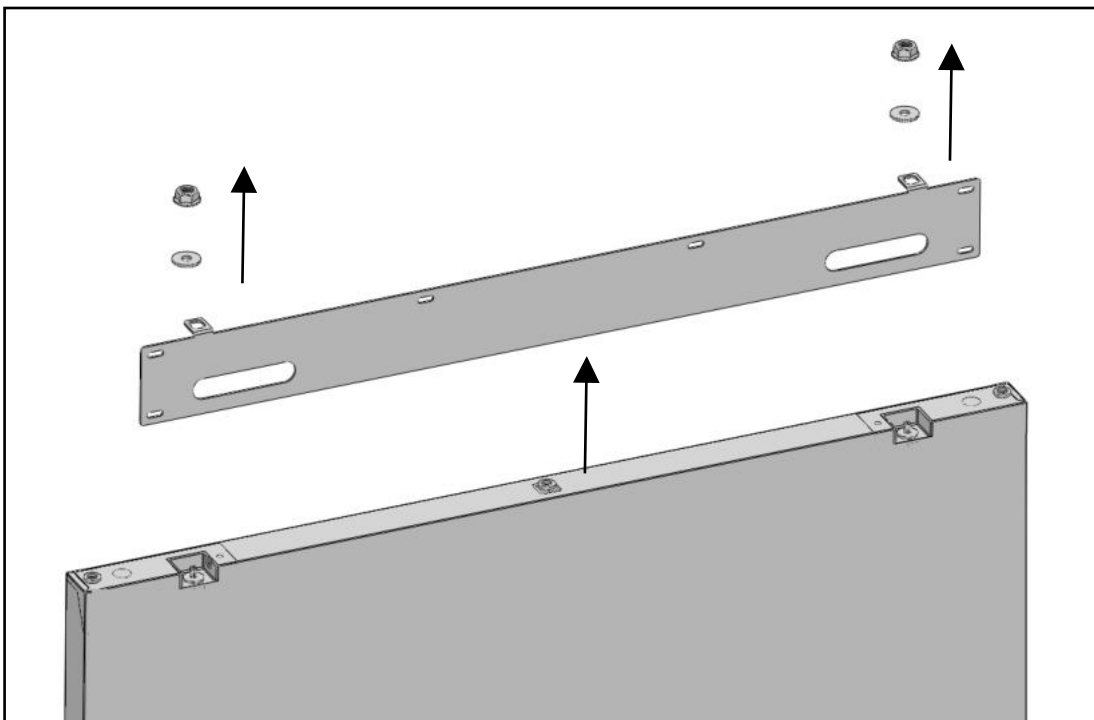
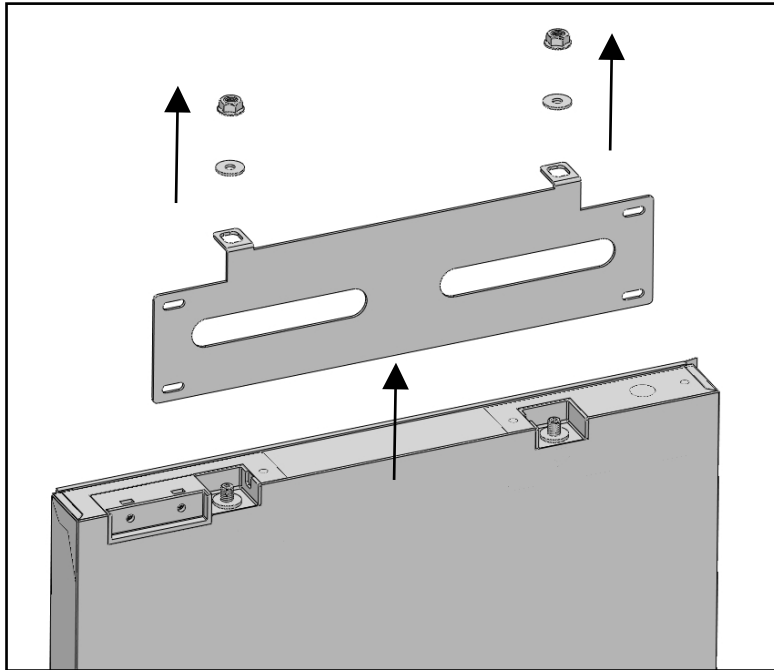
### ATTENTION:

- The hose coming from the mains must be one piece. Do not use extension hoses.
  - Make sure that the power is cut off when making the water connection of the product.
  - The water valve must be off when connecting the water hose.
  - It is recommended that the water on/off valve remains accessible after installing the product.
  - This product is suitable for use with cold water mains only.
  - Pressure of the water system must be between 14.5-80 psi (1-5.5 Bar).
  - Once the connection is completed, you must turn on the mains valve and make sure that there is no leakage at that point.
- 
- Use 4 screws to attach the vent hole part.



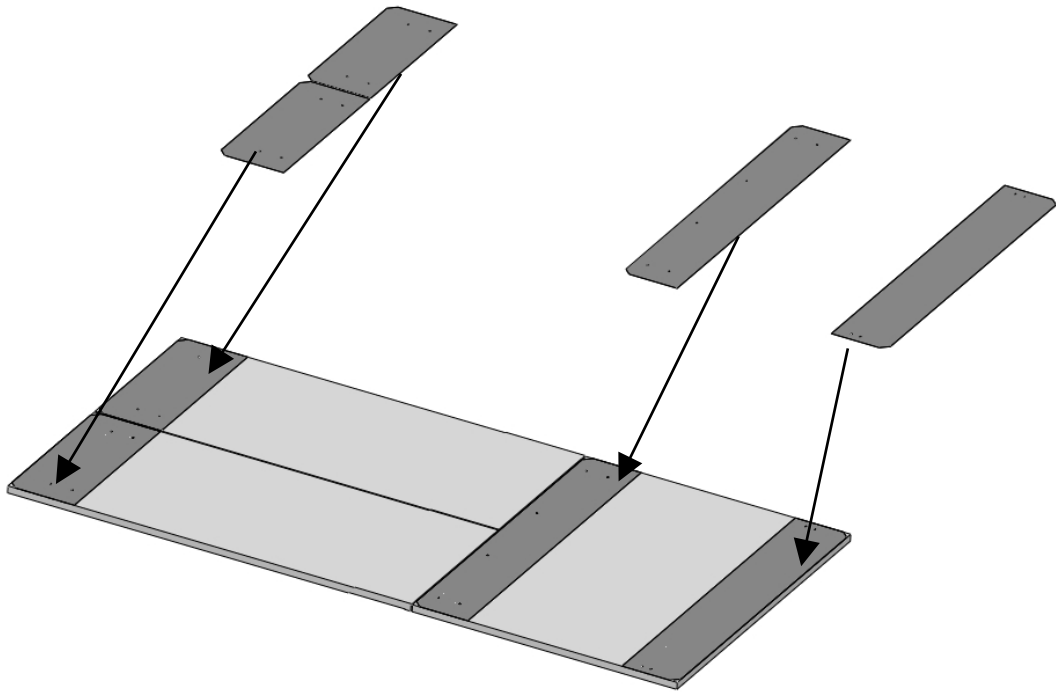
## INSTALLATION INSTRUCTIONS

- Remove the upper and lower Adjusting Mechanism assemblies from the door.

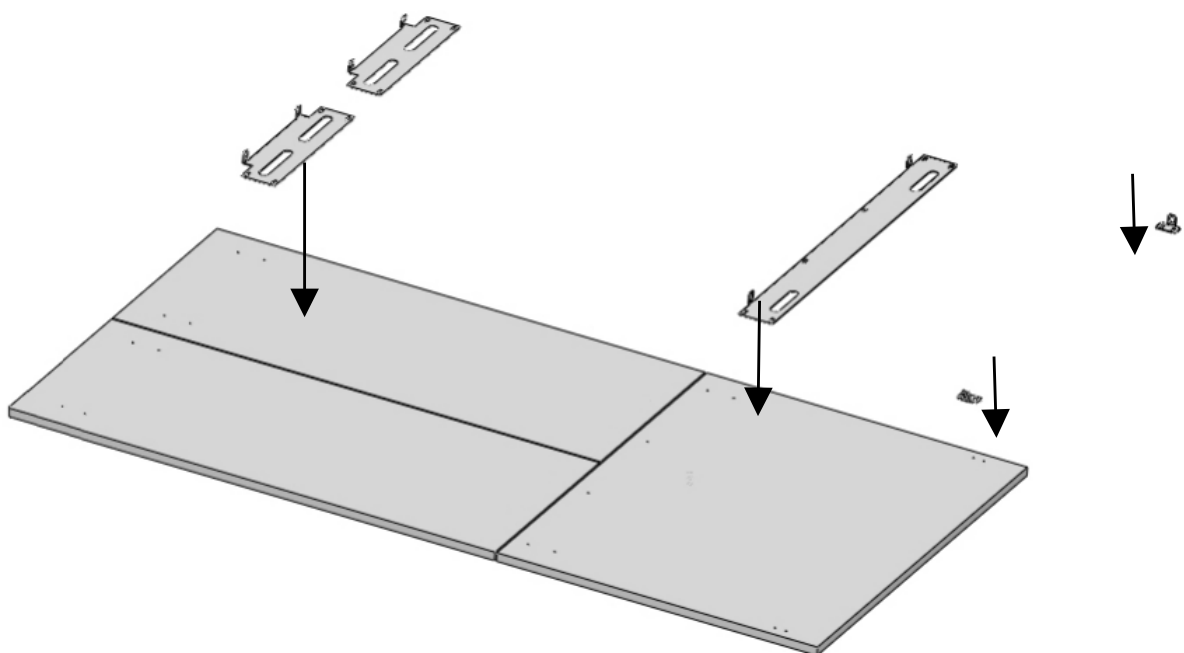


## INSTALLATION INSTRUCTIONS

- When marking, you can use the "Furniture door preparation template" provided with the product.

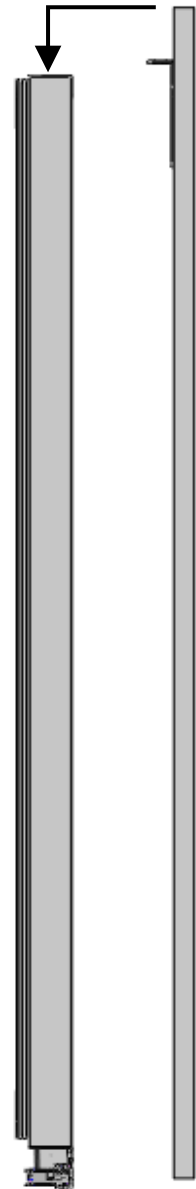
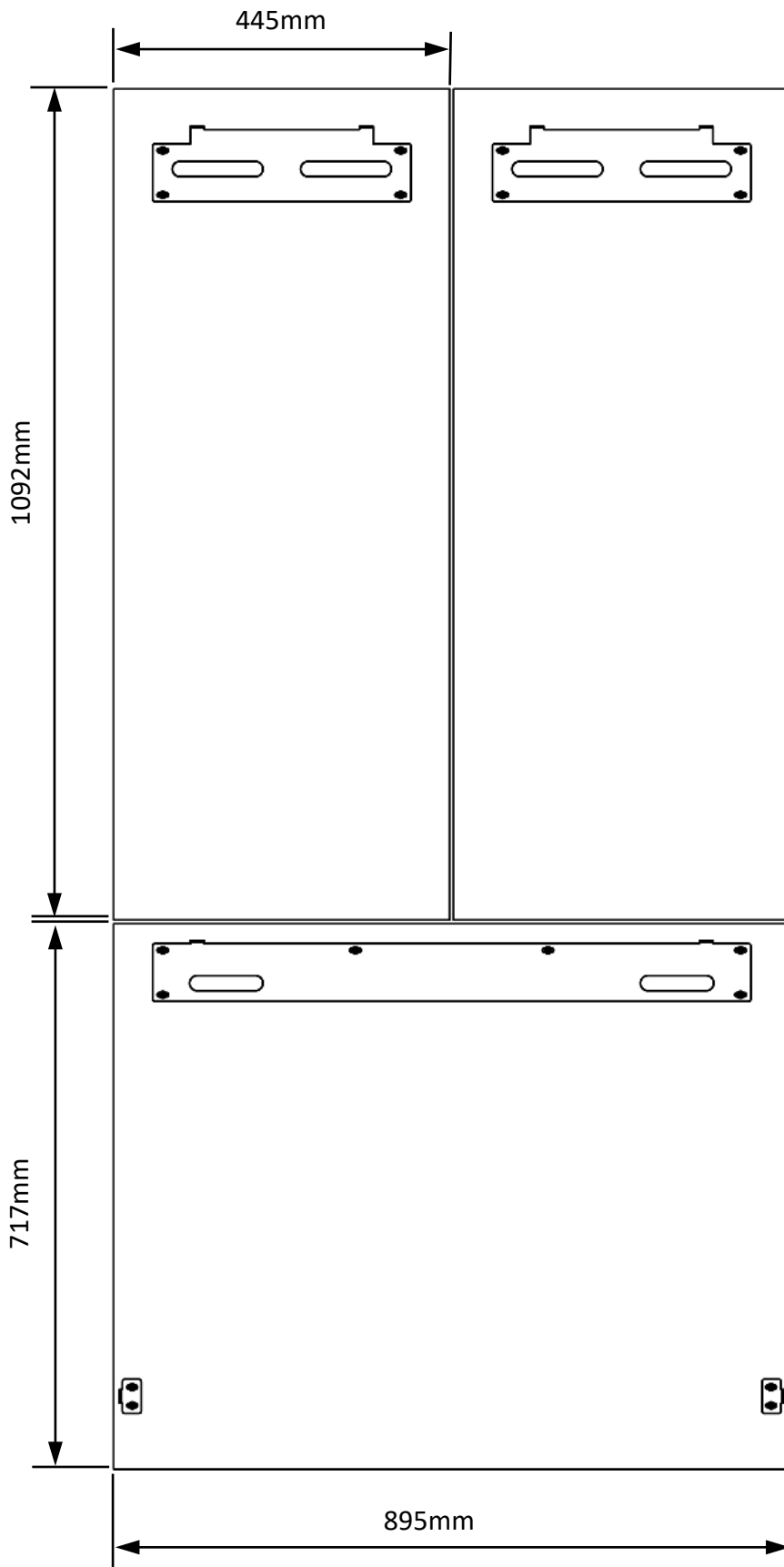


- Install cradles using the chipboard screws (ST4x14).



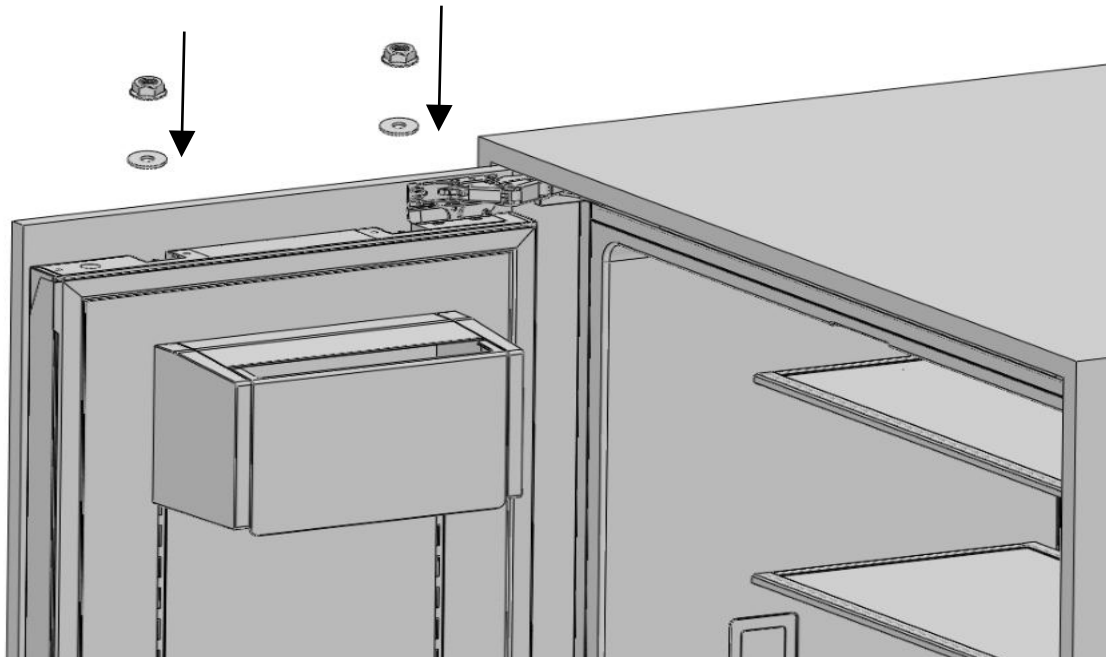
# INSTALLATION INSTRUCTIONS

- Attach the furniture door to the fridge door.

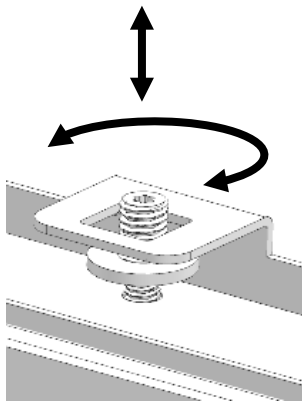


## INSTALLATION INSTRUCTIONS

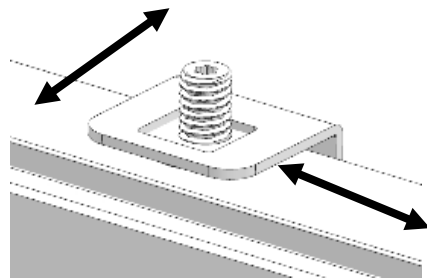
- You should adjust 3D direction using by two fixing bolt to perform fine adjustments.



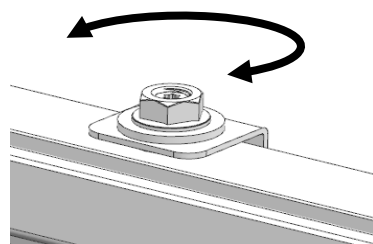
- How to align the furniture door upper part with bolts.



Up & down



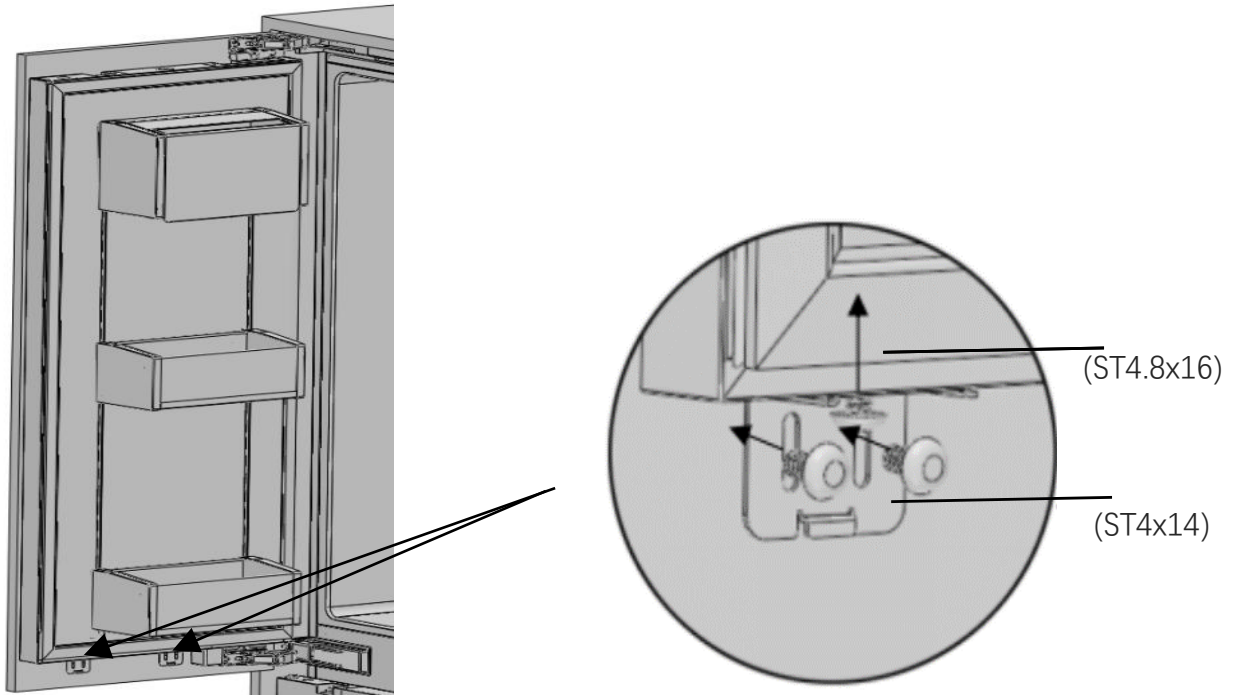
Front & back  
Left & right



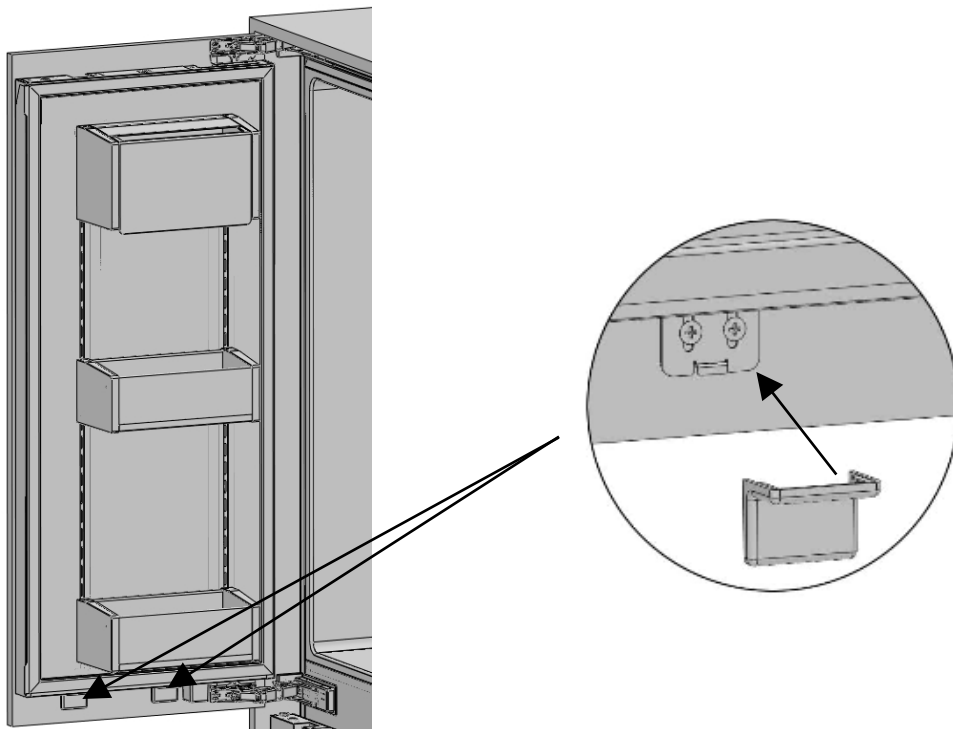
Fixing furniture door completely

## INSTALLATION INSTRUCTIONS

- Use the door-door furniture connecting bracket to join the furniture door.
- Use 2 screw door fixing brackets (ST4.8x16) to fix on the door. Use 4 screws (ST4x14) to fix on the furniture door.

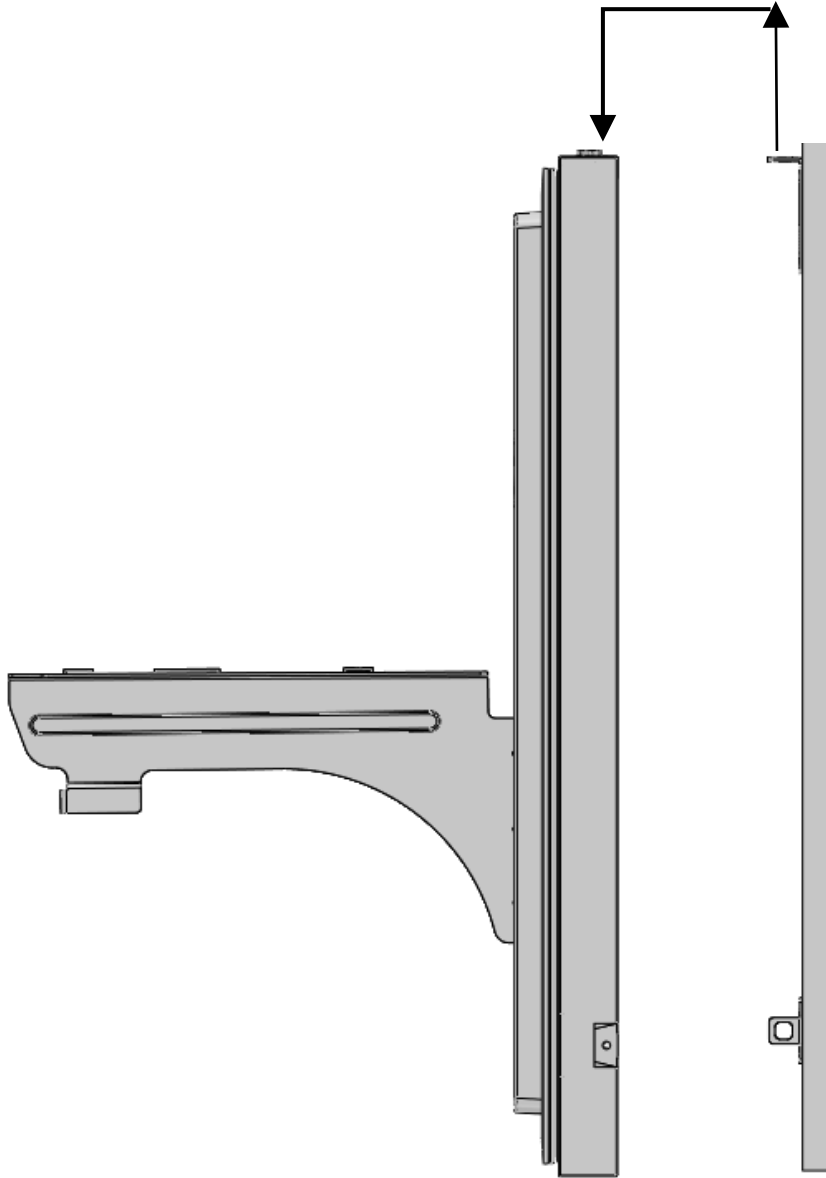


- Attach the Trim door side.



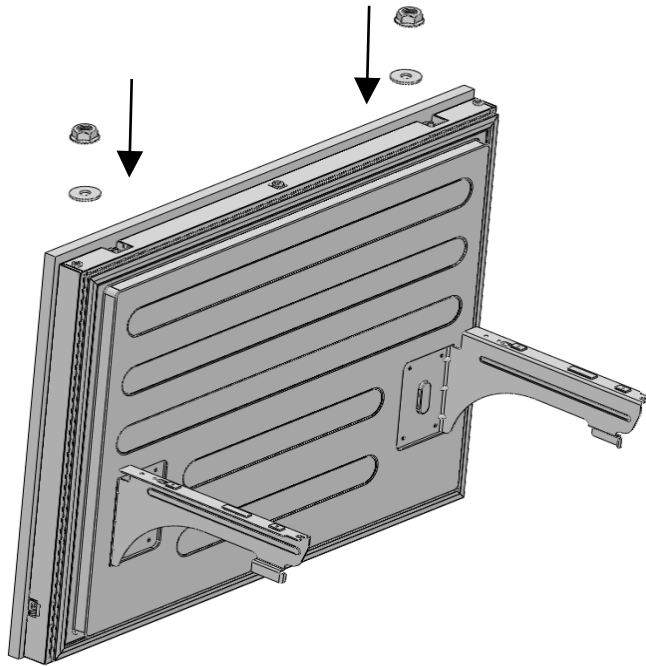
## INSTALLATION INSTRUCTIONS

- Attach the furniture door to the freezing door.

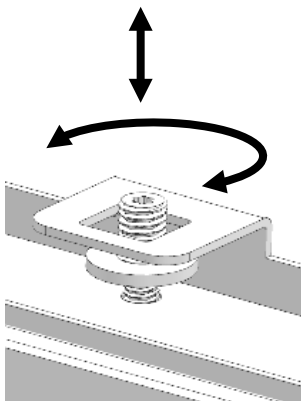


# INSTALLATION INSTRUCTIONS

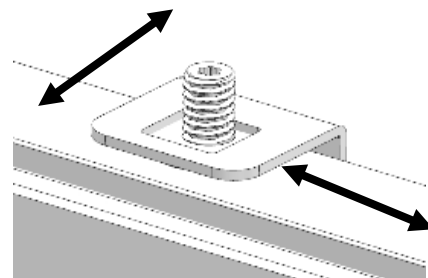
- You should adjust 3D direction using by two fixing bolt to perform fine adjustments.



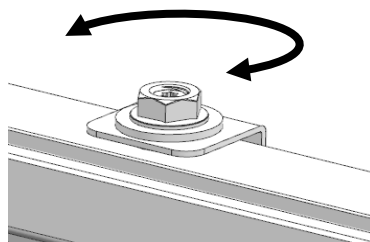
- How to align the furniture door upper part with bolts.



Up & down



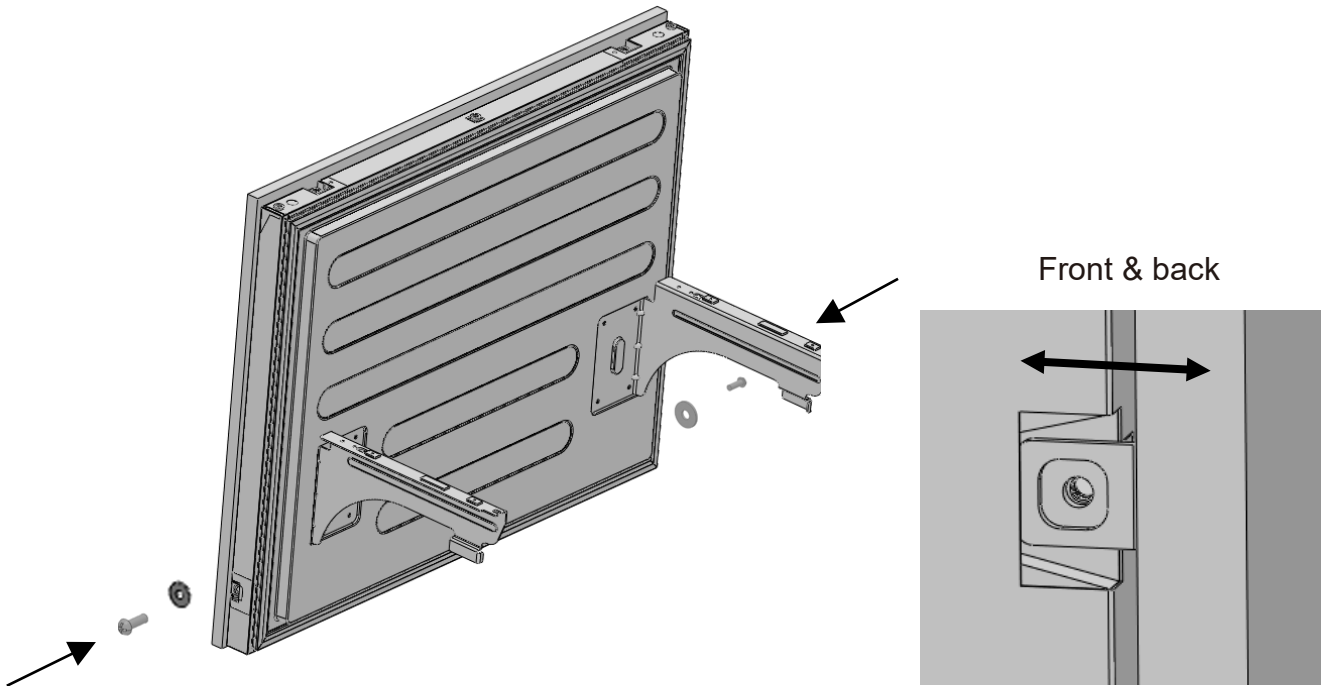
Front & back  
Left & right



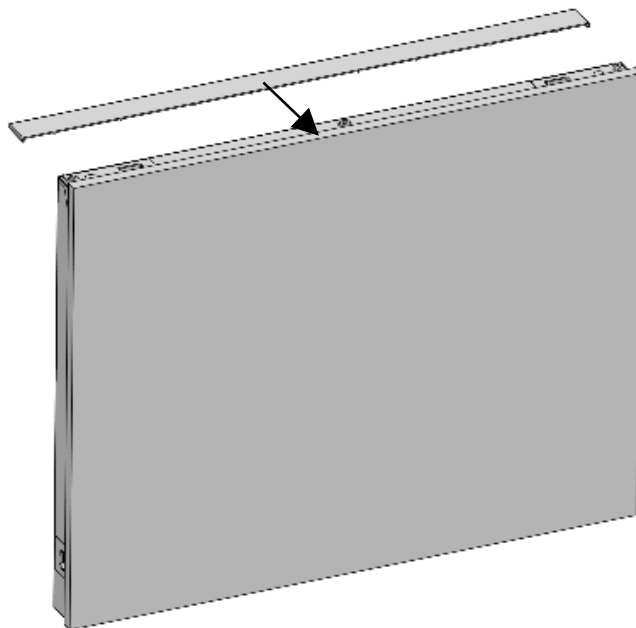
Fixing furniture door completely

## INSTALLATION INSTRUCTIONS

- Fixing the brackets with 2 screws (M5×16) and 2 shims.

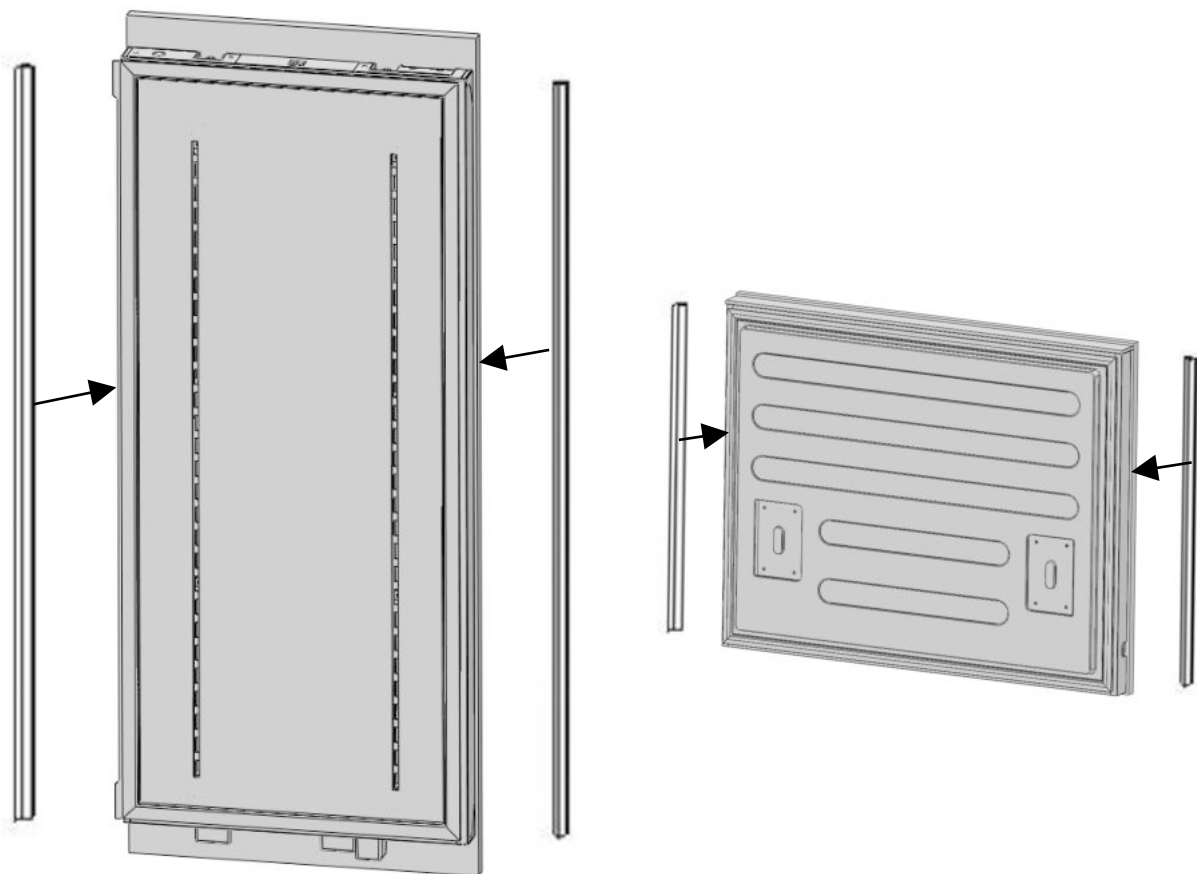
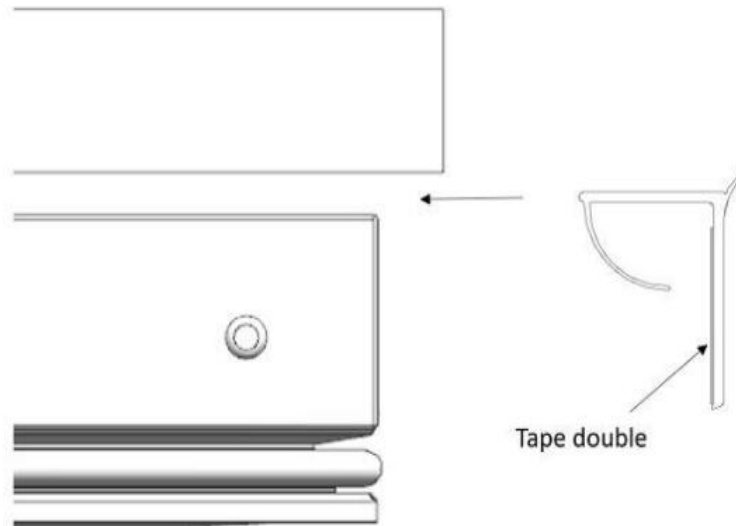


- Attach the top cover of freezing door by using the tabs.



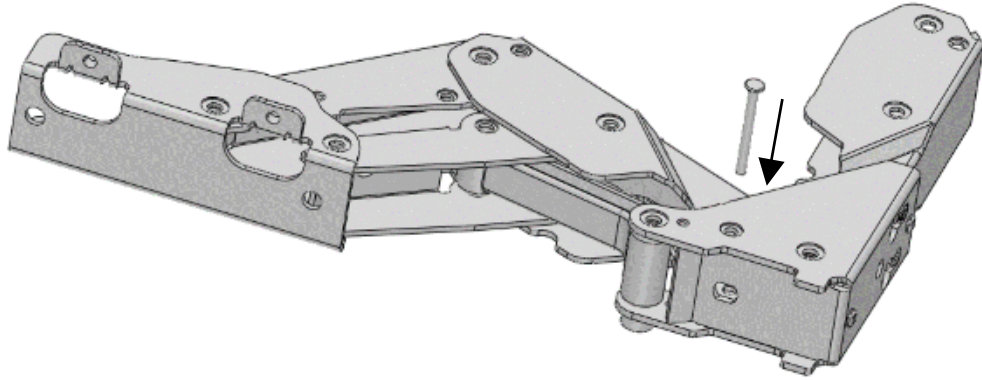
## INSTALLATION INSTRUCTIONS

- Attach the door side trim.
- The backing paper of the double-sided tape should be removed before attaching the parts.



## INSTALLATION INSTRUCTIONS

- You can limit the opening degree of your door to 90° if you want.



limit pin should be inserted to upper hinge

